

# equipment list

Heller\_Dynam\_Bed\_2L2C

device tag	number	denomination	Type	Manufacturer	Heller no.
+CC-100.50	1	shut-off valve	HE-G1/2-LO 197134	Festo	01.093008
+CC-100.51	1	silencer	AMTE-M-LH-G1 1205865	Festo	01.112166
+CC-100.52	1	fastening angle	MS4-WP 532184	Festo	01.106320
+CC-100.53	1	filter pressure regulator	MS4-LFR-1/4-D6-CUV-A4 526489	Festo	01.109895
+CC-100.53-1	1	filter element	MS4-LFP-C 534501	Festo	01.109899
+CC-100.54	1	pressure gauge	MA-50-10-1/4 359873	Festo	01.092062
+MU-100.60	1	plastic pipe	PA 8x1 1 820 712 102	AVENTICS	01.093303
+MU-110.10	1	plastic pipe	PA 12x1,5 1 820 712 103	AVENTICS	01.093304
+MU-110.11	1	check valve	NG6 G1/4 0 821 003 002	AVENTICS	01.031611
+MU-110.12	1	vacuum generator	ähnl EBP-240 R412007716	AVENTICS	01.100344
+MU-110.13	1	plastic pipe	PA 14x1,5 1 820 712 104	AVENTICS	01.093305
+MU-110.20	1	plastic pipe	PA 12x1,5 1 820 712 103	AVENTICS	01.093304
+MU-110.21	1	check valve	RHZ12LREDO MD-CF ITL71 ST 1.4571	Parker	01.062111
+H1-400.11	1	hose line	DIN 20066-2SC40-NN-....-P 462-40-....	Parker	
+H1-410.1	1	flow control switch	MR1K-020GM004 G3/4 0,4-4 L/min. M12x1 0.403	Honsberg	01.099887
+MU-410.2	1	hose line	DIN 20066-2SC16-NN-3750-P 462-10-3750	Parker	01.099742
+MU-410.3	1	check valve	RHZ18LREDO MD-CF ITL71 ST 1.4571	Parker	01.062112
+MU-410.4	1	block		Heller Maschinenfabrik	00.788814
+MU-410.5	1	hose line	DIN 20066-2SC10-NN- 630-P 462- 6- 630	Parker	01.099880
+MU-410.6	1	hose line	DIN 20066-2SC10-NN- 630-P 462- 6- 630	Parker	01.099880
+MU-410.8	1	directional control valve	5-VMK10 DR/NO 3/2 G1/2 0-80bar, M12x1	Müller co-ax	02.001914
+MU-410.8-1	1	directional control valve	VMK 10 DR NO-Namur 0-80bar, G1/2	Müller co-ax	01.102636
+MU-410.8-2	1	directional control valve	G1/8 4-Pin M12x1 401 130	Müller co-ax	01.102683
+MU-410.8-3	1	exhaust throttle	G1/8 238 04	Müller co-ax	01.097318
+MU-410.8-4	1	exhaust throttle	G1/8 238 04	Müller co-ax	01.097318
+H1-410.11	1	hose line	DIN 20066-2SC16-NN-....-P 462-10-....	Parker	
+H1-411.1	1	directional control valve	5-VMK15 NC 2/2 G1/2 0-64bar, M12x1	Müller co-ax	02.001242
+H1-411.1-1	1	directional control valve	VMK15NC, 2/2, 0-64bar G1/2	Müller co-ax	01.097317

device tag	number	denomination	Type	Manufacturer	Heller no.
+H1-411.1-2	1	directional control valve	G1/8 4-Pin M12x1 401 130	Müller co-ax	01.102683
+H1-411.1-3	1	exhaust throttle	G1/8 238 04	Müller co-ax	01.097318
+H1-411.1-4	1	exhaust throttle	G1/8 238 04	Müller co-ax	01.097318
+MU-411.10	1	plastic pipe	18x1,5 PA12 HIPHL-nf DIN 73378	Stiefel	01.060217
+H1-411.11	1	hose line	DIN 20066-2SC25-NN-....-P 462-16-....	Parker	
+H1-417.11	1	hose line	DIN 20066-2SC16-NN-....-P 462-10-....	Parker	
+H1-480.1	1	directional control valve	5-VMK25 NC 2/2 G11/4 0-64bar, M12x1	Müller co-ax	02.001243
+H1-480.1-1	1	directional control valve	VMK 25 NC-Namur 0-64bar, G11/4	Müller co-ax	01.094865
+H1-480.1-2	1	directional control valve	G1/8 4-Pin M12x1 401 130	Müller co-ax	01.102683
+H1-480.1-3	1	exhaust throttle	G1/8 238 04	Müller co-ax	01.097318
+H1-480.1-4	1	exhaust throttle	G1/8 238 04	Müller co-ax	01.097318
+GOS-485.1	1	ball valve	BVG 4-3/8 L	Parker	01.094579
+GOS-485.2	1	ball valve	BVG 4-3/8 L	Parker	01.094579
+GOS-485.3	1	ball valve	BVG 4-3/4 C	Parker	01.084621
+GMS-485.4	1	ball valve	BVG 4-3/8 L	Parker	01.094579
+GMS-485.5	1	ball valve	BVG 4-3/4 C	Parker	01.084621
+GMS-485.6	1	ball valve	BVG 4-3/4 C	Parker	01.084621
+GLS-490.1	1	coiled hose	HEL 09.03.30 DN12 2xG3/8a L=3300 blau	Stäubli	01.100442
+GLS-490.2	1	wash gun	G1/2 412.009	EWO	01.110254
+H1-490.3	1	coupling	DN9, G3/8 SP-009-2-WR517-11-2-Z02	Walther	01.112139
+H1-490.4	1	coupling	DN9, G 3/8A SP-009-0-WR017-11-1	Walther	01.039222
+H1-490.5	1	ball valve	BVG 4-3/8 L	Parker	01.094579

← &C+M/1

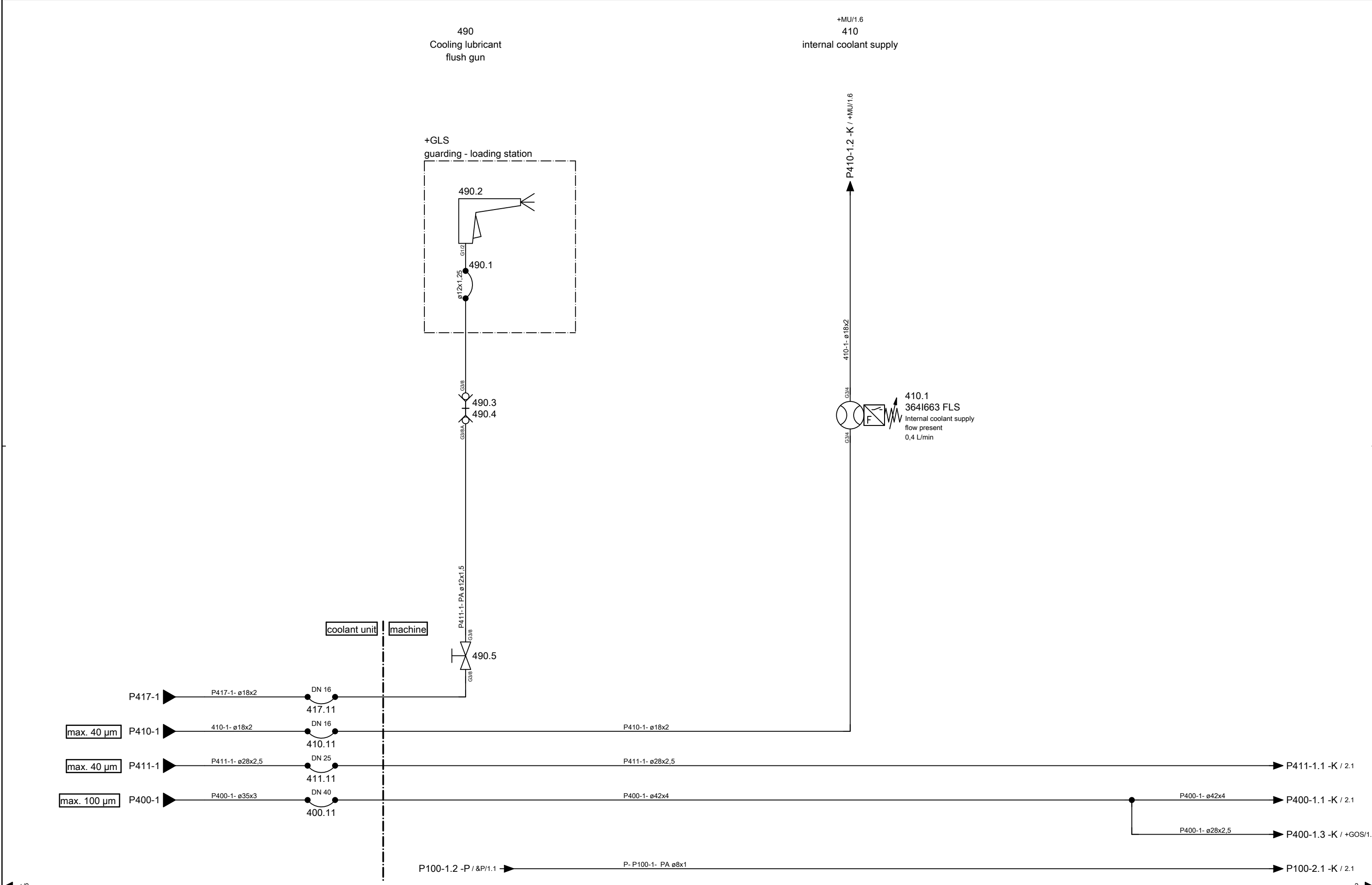
+H1/1 →

ART DER AENDERUNG/REVISION/DESCRIÇÃO DE ALTERAÇÃO		Index	ZONE/ZONA	DATUM/DATE	NAME/NOME	PROJ./PROJ/ PROJ.	54793.00	<h1 style="text-align: center;">HELLER</h1> <p style="text-align: center;">BENENNUNG/NAME/DENOMINAÇÃO</p> <h2 style="text-align: center;">Device tag list coolant</h2>	KUNDE/CUSTOMER/CLIENTE	PLAN/PLAN/PLANO	
CAD-System		URSPPR./ORIG.	GEPR./CHECK./REG.			M-NR/M-NO/ M-NO	M54793		Paccar, Columbus USA	project	MP.05479300_F
ePLAN 2.2.5		ERS./REP.	BEARB./CHG./ALT.	30.09.2016	AHFE/ZAJ	TYP/TYPE/ TIPO	H 10000 PC		INV-NR/INV-NO/NO-INV	Machine	=M54793
		ERS.D./REP.W.	GEZ./DRAWN/DES.	30.09.2016	AHFE/ZAJ	WERKSTÜCK/ PART/PEÇA			Document type	&K coolant diagram	
									Mounting position		
									Page name	0	

Änderungen nur im CAD-Original!  
 Changes in CAD only!  
 Mudanças no original CAD somente!  
 © Copyright reserved - Gebr. HELLER Maschinenfabrik GmbH, D-72822 Nürtingen  
 Schutzvermerk nach DIN 34 beachten!  
 Attention! Observe DIN 34  
 Atenção! Leia o DIN 34

Änderungen nur im CAD-Original!  
Changes in CAD only!  
Mudanças no original CAD somente!

© Copyright reserved - Gebr. HELLER Maschinenfabrik GmbH, D-72622 Nürtingen  
Schutzvermerk nach DIN 34 beachten!  
Attention! Observe DIN 34  
Atenção! Atente DIN 34



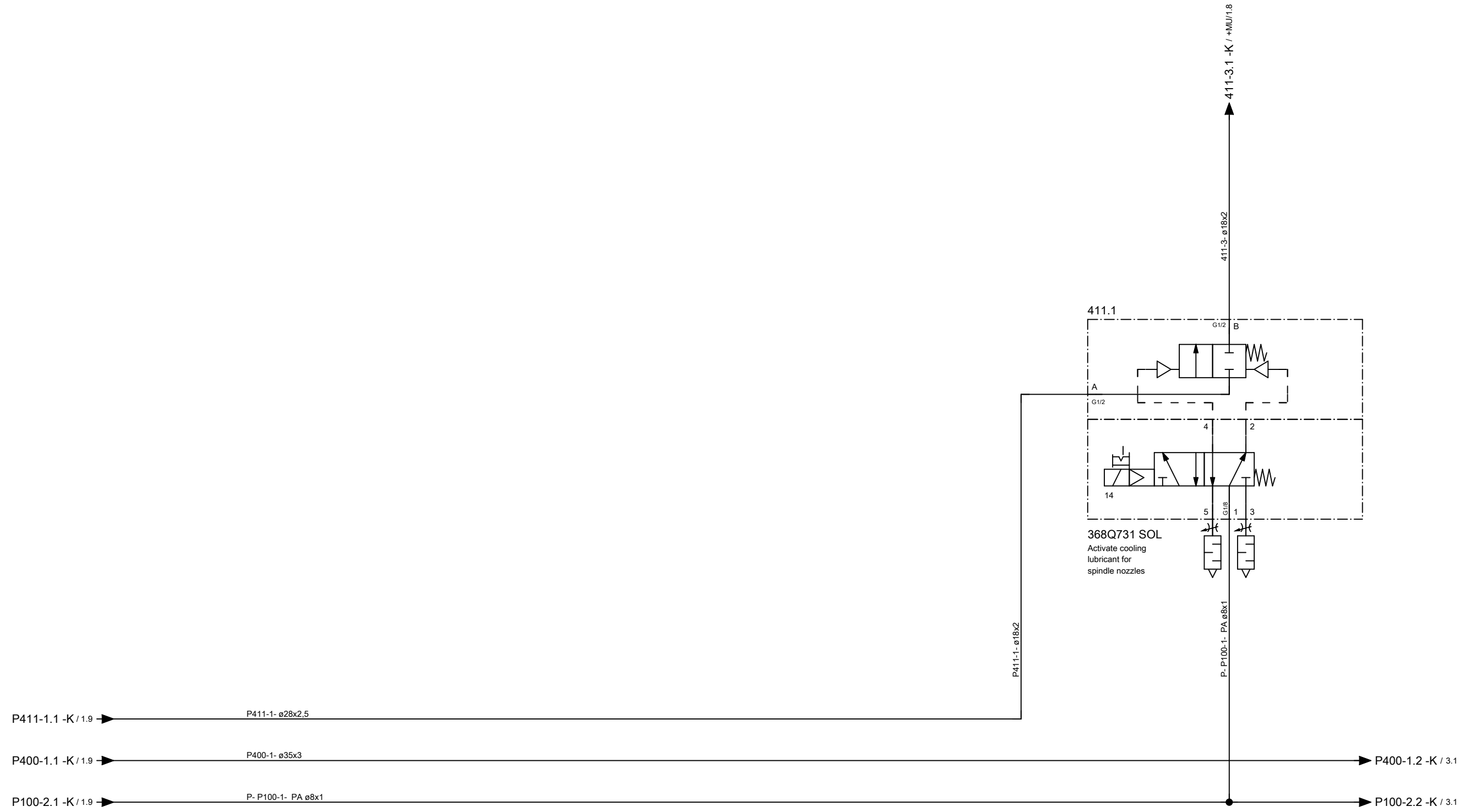
ART DER AENDERUNG/REVISION/DESCRIÇÃO DE ALTERAÇÃO ePLAN 2.2.5		URSPR./ORIG. ERS./REP. ERS.D./REP.W.	GEPR./CHECK./REG. BEARB./CHG./ALT. GEZ./DRAWN/DES.	Index ZONE/ZONA DATUM/DATE NAME/NOME	PROJ./PROJ./PROJ. 54793.00 M-NR/M-NO/ M-NO M54793 TYP/TYPE/ TIPO H 10000 PC WERKSTÜCK/ PART/PEÇA	<b>HELLER</b> BENENNUNG/NAME/DENOMINAÇÃO coolant diagram	KUNDE/CUSTOMER/CLIENTE Paccar, Columbus USA INV-NR/INV-NO/NO-INV	PLAN/PLAN/PLANO project Machine Document type Mounting position Page name	MP.05479300_F =M54793 &K coolant diagram +H1 HELP1 1	2 →
--	--	--	--	---	---	--	--	--	--	-----

Änderungen nur im CAD-Original!  
Changes in CAD only!  
Mudanças no original CAD somente!

© Copyright reserved - Gebr. HELLER Maschinenfabrik GmbH, D-72822 Nürtingen  
Schutzvermerk nach DIN 34 beachten!  
Attention! Observe DIN 34  
Atenção! Atente DIN 34

413  
Cooling lubricant  
multi-spindle head

+MU/1.8  
411  
Cooling lubricant  
spindle nozzles



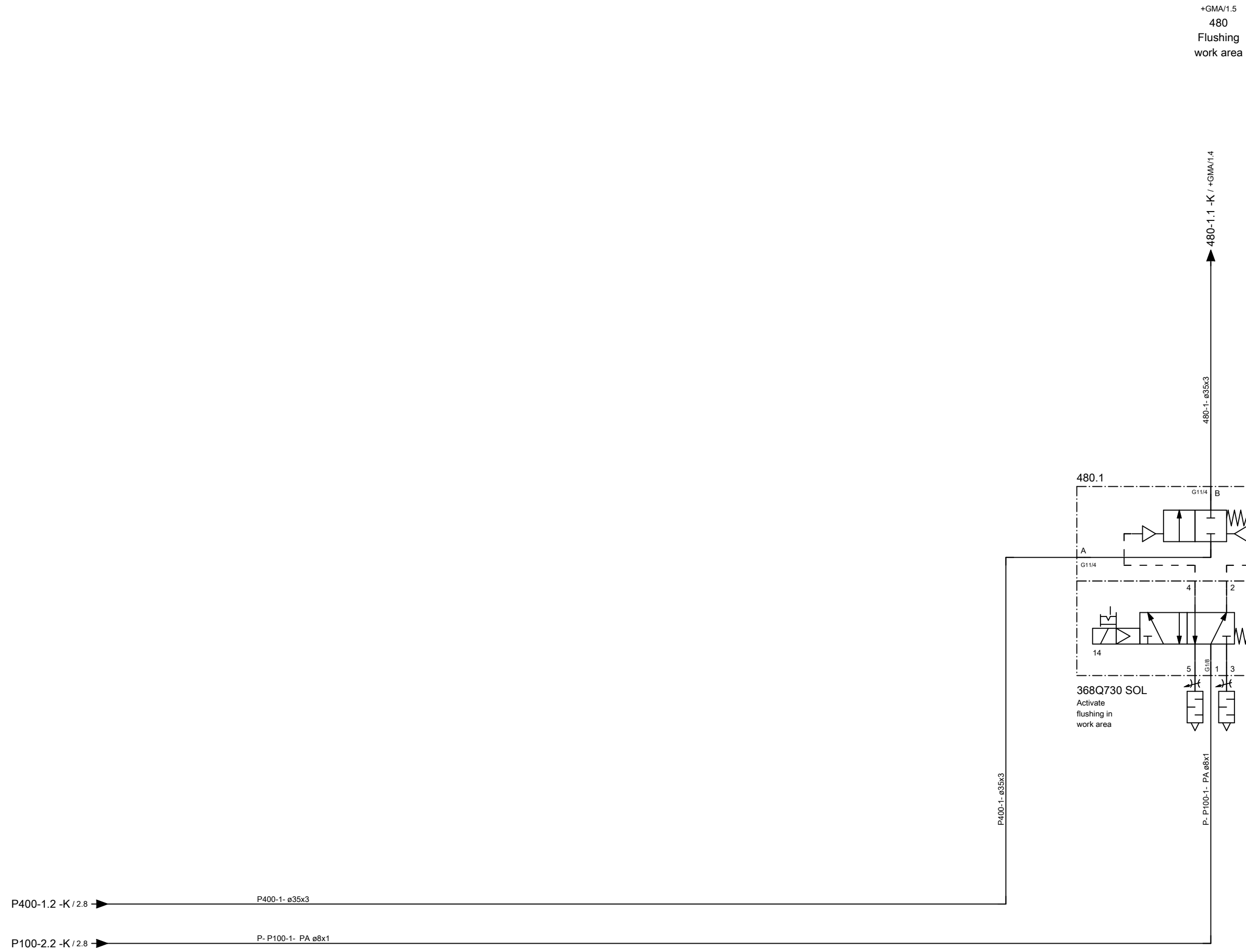
← 1 3 →

ART DER AENDERUNG/REVISION/DESCRIÇÃO DE ALTERAÇÃO				Index	ZONE/ZONA	DATUM/DATE	NAME/NOME	PROJ./PROJ/ PROJ.	<p style="text-align: center;"><b>HELLER</b></p> <p style="text-align: center;">coolant diagram</p>	KUNDE/CUSTOMER/CLIENTE	PLAN/PLAN/PLANO
CAD-System				URSPR./ORIG.	GEPR./CHECK./REG.			M-NR/M-NO/ M-NO		Paccar, Columbus USA	project
ePLAN 2.2.5				ERS./REP.	BEARB./CHG./ALT.	30.09.2016	AHFE/ZAJ	M54793			Machine
				ERS.D./REP.W.	GEZ./DRAWN/DES.	11.09.2015	AHFE/HOP	H 10000 PC		Document type	MP.05479300_F
										Mounting position	=M54793
										Page name	&K coolant diagram
											+H1 HELP1
											2

Heller\_2L

Änderungen nur im CAD-Original!  
Changes in CAD only!  
Mudanças no original CAD somente!

© Copyright reserved - Gebr. HELLER Maschinenfabrik GmbH, D-72822 Nürtingen  
Schutzvermerk nach DIN 34 beachten!  
Attention! Observe DIN 34  
Atenção! Atente DIN 34



← 2

+MU/1 →

ART DER AENDERUNG/REVISION/DESCRIÇÃO DE ALTERAÇÃO	Index	ZONE/ZONA	DATUM/DATE	NAME/NOME
CAD-System	URSPR./ORIG.	GEPR./CHECK./REG.		
ePLAN 2.2.5	ERS./REP.	BEARB./CHG./ALT.	30.09.2016	AHFE/ZAJ
	ERS.D./REP.W.	GEZ./DRAWN/DES.	11.09.2015	AHFE/HOP

PROJ./PROJ/PROJ.	54793.00
M-NR./M-NO/M-NO	M54793
TYP./TYPE/TIPO	H 10000 PC
WERKSTÜCK/PART/PEÇA	

<b>HELLER</b>	
coolant diagram	

KUNDE/CUSTOMER/CLIENTE	Paccar, Columbus USA
INV-NR./INV-NO/NO-INV	

PLAN/PLAN/PLANO	project	MP.05479300_F
	Machine	=M54793
	Document type	&K coolant diagram
	Mounting position	+H1 HELP1
	Page name	3

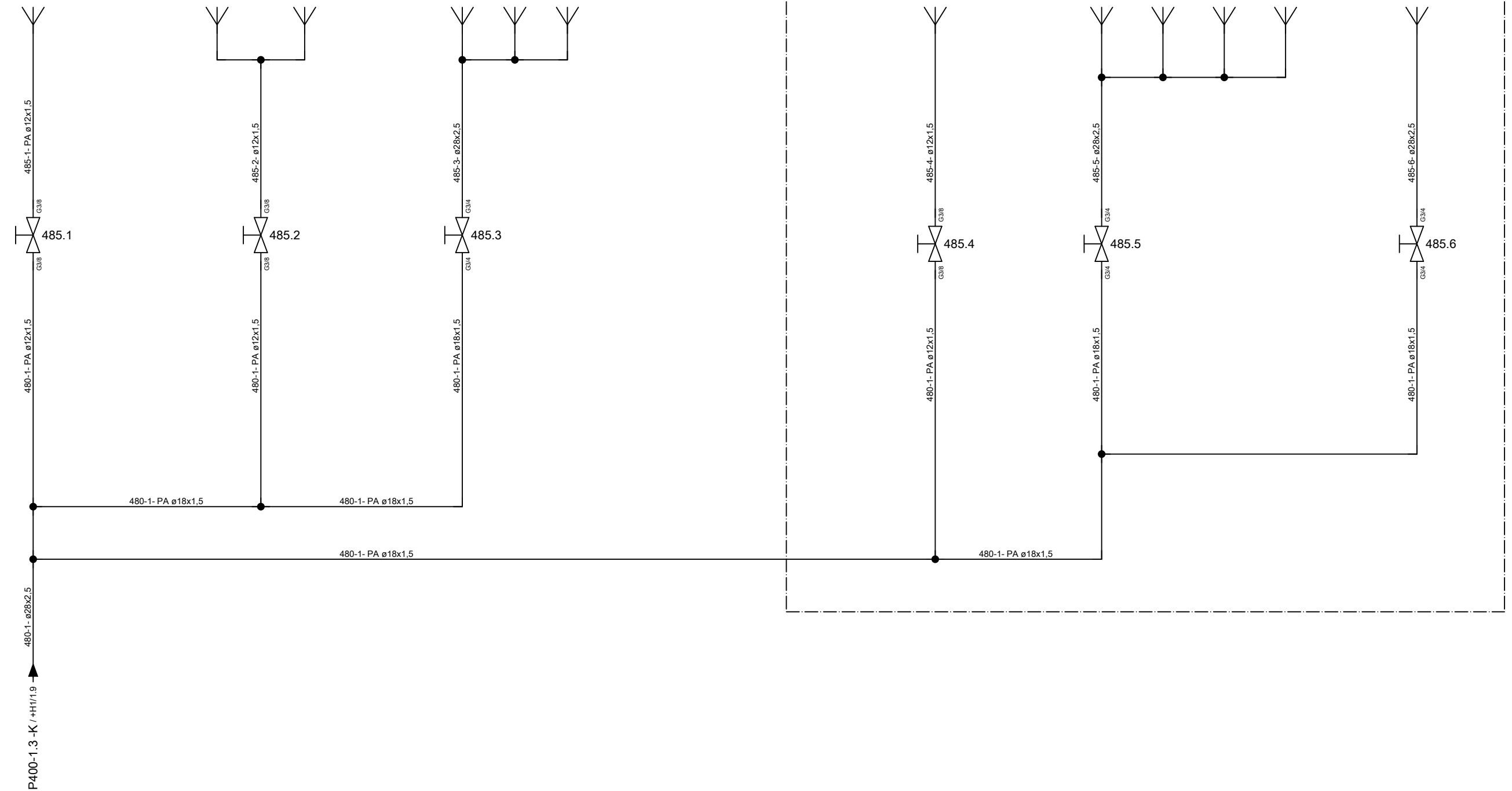


Änderungen nur im CAD-Original!  
Changes in CAD only!  
Mudanças no original CAD somente!

© Copyright reserved - Gebr. HELLER Maschinenfabrik GmbH, D-72622 Nürtingen  
Schutzvermerk nach DIN 34 beachten!  
Attention! Observe DIN 34  
Atenção! Atenção DIN 34

485  
machine bed flushing

operating side  
magazine side  
Flushing below the Z-cover  
Flush X-axis  
machine bed flushing  
Flush X-axis  
machine bed flushing



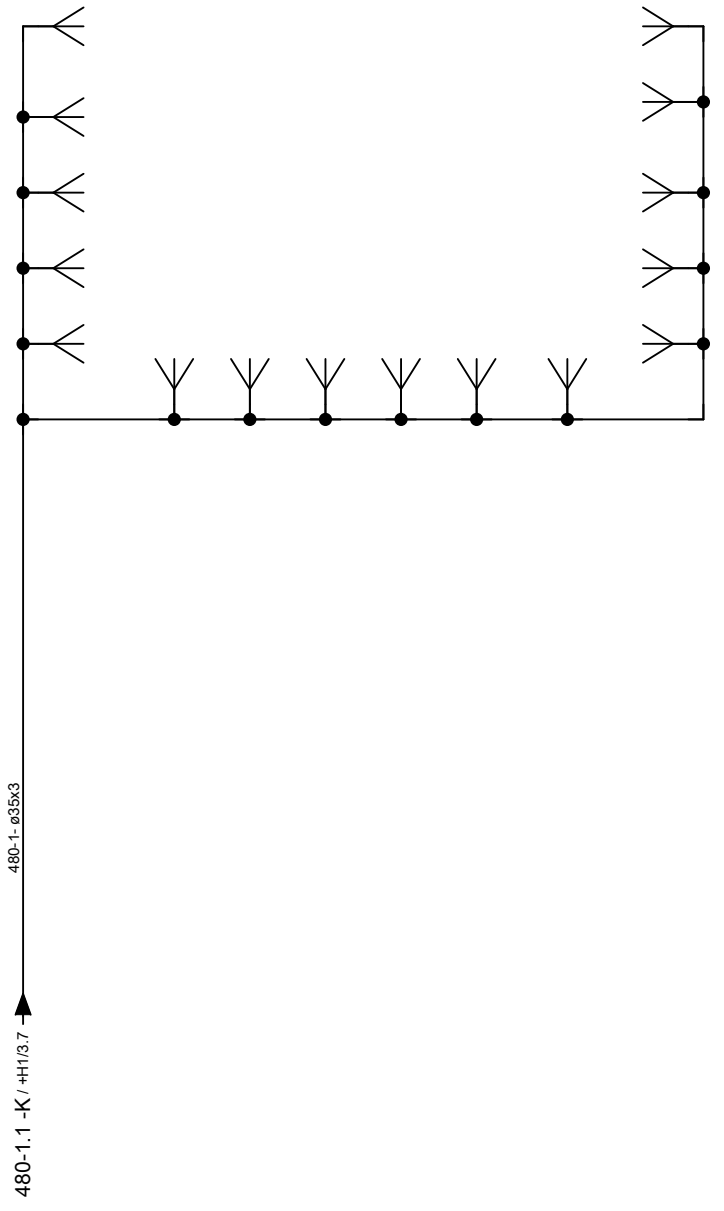
← +MU/1 +GMA/1 →

ART DER AENDERUNG/REVISION/DESCRIÇÃO DE ALTERAÇÃO				Index	ZONE/ZONA	DATUM/DATE	NAME/NOME	PROJ./PROJ./PROJ.	54793.00	<b>HELLER</b>	KUNDE/CUSTOMER/CLIENTE	PLAN/PLAN/PLANO	
CAD-System				URSPR./ORIG.	GEPR./CHECK./REG.			M-NR./M-NO/ M-NO	M54793		Paccar, Columbus USA	project	MP.05479300_F
ePLAN 2.2.5				ERS./REP.	BEARB./CHG./ALT.	26.08.2016	AHFE/ZAJ	TYP/TYPE/ TIPO	H 10000 PC	coolant diagram	INV-NR./INV-NO/NO-INV	Machine	=M54793
				ERS.D./REP.W.	GEZ./DRAWN/DES.	11.09.2015	AHFE/HOP	WERKSTÜCK/ PART/PEÇA				Document type	&K coolant diagram
											Mounting position	+GOS guarding - operating side	
											Page name	1	A3

Änderungen nur im CAD-Original!  
Changes in CAD only!  
Mudanças no original CAD somente!

© Copyright reserved - Gebr. HELLER Maschinenfabrik GmbH, D-72822 Nürtingen  
Schutzvermerk nach DIN 34 beachten!  
Attention! Observe DIN 34  
Atenção! Atente DIN 34

+H1/3.7  
480  
Flush  
workpiece  
in work area



← +GOS/1

+CC/1 →

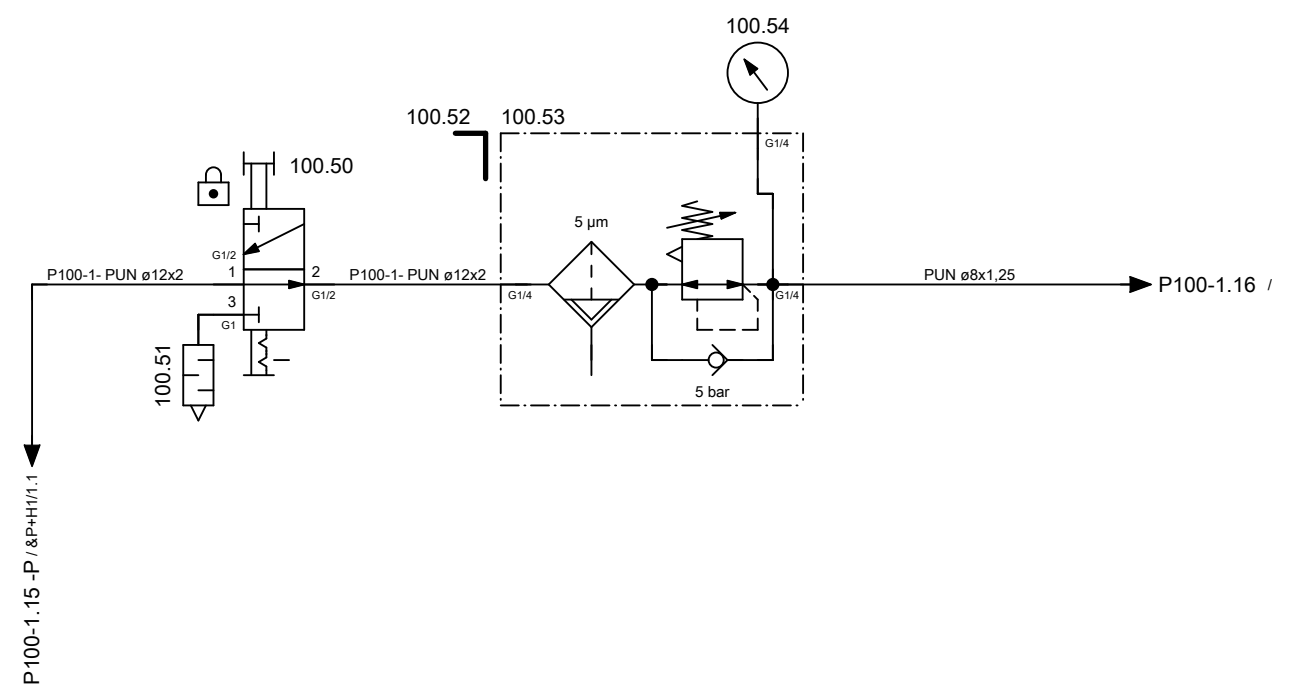
CAD-System		URSPR./ORIG.	GEPR./CHECK./REG.	Index	ZONE/ZONA	DATUM/DATE	NAME/NOME	PROJ./PROJ/ PROJ.	54793.00	<b>HELLER</b>	KUNDE/CUSTOMER/CLIENTE	PLAN/PLAN/PLANO	
ePLAN 2.2.5		ERS./REP.	BEARB./CHG./ALT.			30.09.2016	AHFE/ZAJ	M-NR/M-NO/ M-NO	M54793		Paccar, Columbus USA	project	MP.05479300_F
		ERS.D./REP.W.	GEZ./DRAWN/DES.			11.09.2015	AHFE/HOP	TYP/TYPE/ TIPO	H 10000 PC	coolant diagram	INV-NR/INV-NO/NO-INV	Machine	=M54793
								WERKSTÜCK/ PART/PEÇA				Document type	&K coolant diagram
											Mounting position	+GMA guarding - machining area	
											Page name	1	A3

Heller\_2L

Änderungen nur im CAD-Original!  
Changes in CAD only!  
Mudanças no original CAD somente!

© Copyright reserved - Gebr. HELLER Maschinenfabrik GmbH, D-72822 Nürtingen  
Schutzvermerk nach DIN 34 beachten!  
Attention! Observe DIN 34  
Atenção! Atente DIN 34

&P+H1/1.3  
100  
air supply  
recirculating station



← +GMA/1

ART DER AENDERUNG/REVISION/DESCRIÇÃO DE ALTERAÇÃO				Index	ZONE/ZONA	DATUM/DATE	NAME/NOME	PROJ./PROJ/ PROJ.	54793.00	<b>HELLER</b>	KUNDE/CUSTOMER/CLIENTE	PLAN/PLAN/PLANO		
CAD-System				URSPPR./ORIG.	GEPR./CHECK./REG.			M-NR./M-NO/ M-NO	M54793		Paccar, Columbus USA	project	MP.05479300_F	
ePLAN 2.2.5				ERS./REP.	BEARB./CHG./ALT.	26.08.2016	AHFE/ZAJ	TYP./TYPE/ TIPO	H 10000 PC	coolant diagram	INV-NR./INV-NO/NO-INV	Machine	=M54793	
				ERS.D./REP.W.	GEZ./DRAWN/DES.	28.01.2016	AHFE/ZAJ	WERKSTÜCK/ PART/PEÇA			13.504083	Document type	&K coolant diagram	
											Mounting position	+CC chip conveyor	Page name	1

Heller\_2L